

Everbright Micro Push-button Series



Everbright 2003 Series of micro push button are designed for use where either vandalism or heavy duty use is an absolute requirement. Designed for the visually impaired, the bright LED rim and clear floor illumination complete with Braille and tactile legends provide the complete package.

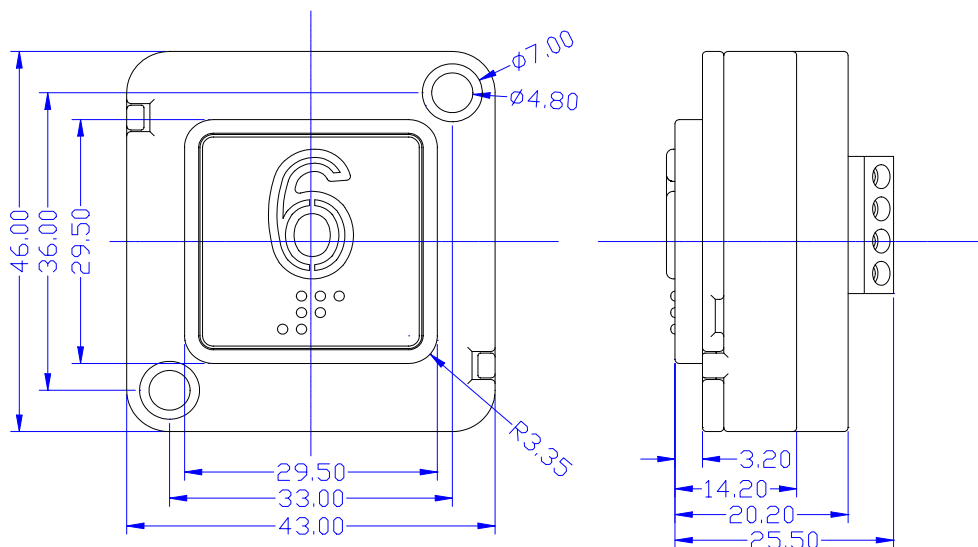
The Pressel is manufactured from 316 or 304 stainless steel and is available as standard in a hairline finish, with options for mirror of gold. Floor legends are 15mm high and raised 1mm with Braille below.

Technical Specification:

Weight :	55 grams
Construction:	Bodies moulded in high grade polycarbonate, with surround in solid alloy, chromium plated.
Pressel:	Standard hairline 316 stainless steel.
LED Voltage:	Single illumination 12/24/30V a.c./d.c.
LED colour:	Standard illumination in red.
LED current:	28mA
Contact arrangement:	1 N/O
Contact rating:	50mA 24V d.c. (resistive load)
Operation cycle:	1,000,000

The models are available in LED illuminated :

EB03-BL - LED illuminated with Hair-line 316 Stainless Steel Plate.



EB-2003BL Vandalism Braille Push-Button