

Everbright Millennium Series Push-buttons



Everbright 2000 Series of EB-2000BL compact and Braille with LED illuminated push-button, take a firm stand against vandalism. They have been designed for visual impairment persons. With a precision cut-through to provide clear illumination and a rim illuminated.

The stainless steel plate of push-button are manufactured using Hair-line or Mirror 316 grade. Other customized stainless steel finishes are available on request.

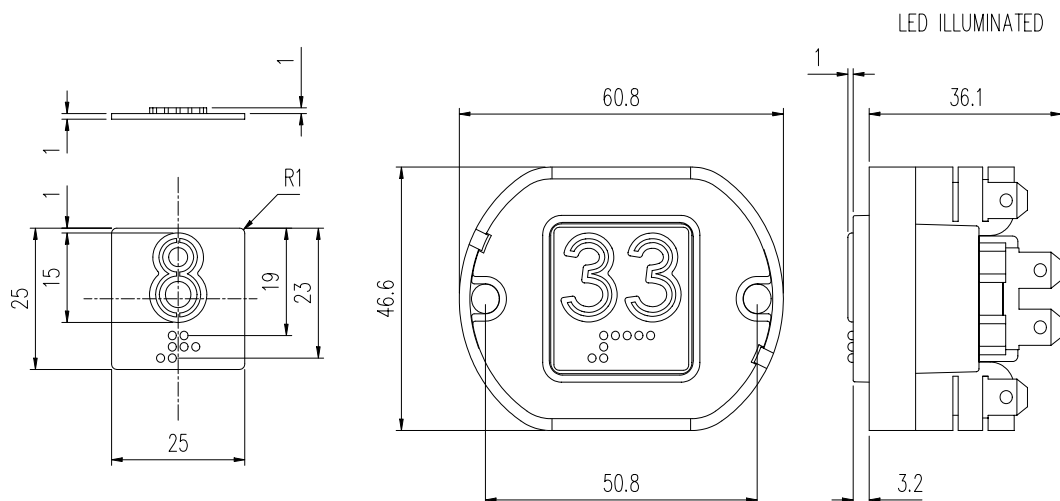
The Technical Specification of push-buttons have self cleaning contacts in phosphorus bronze with platinum-plate, rated at 3A 220V a.c. or 0.5A 220V d.c. contacts configuration are either 2 N/O or 1 N/O + 1 N/C . Standard illumination is 12V or 24V d.c. The bodies have been molded in high grade polycarbonate and solid alloy surrounding with chromium-plate.

Approvals :	<i>Mechanical operation with electric load :</i>	IEC60512-5
	<i>Impact testing :</i>	BS5655 PT13
	<i>Corrosion resistant :</i>	IEC60068-2-11 : 1981
	<i>Ingress protection :</i>	IP41 . IEC60529 : 2001
	<i>Fire hazard test :</i>	IEC60695-2-1/0 : 1994

The models are available in LED illuminated and Non-illuminated:

EB20-BL - LED illuminated with Hair-line 316 Stainless Steel Plate.

EB20-NB - Non-illuminated with Hair-line 316 Stainless Steel Plate.



All dimensions in mm

EB-2000BL Vandal-resistant Braille Push-Button