

DCT-LD3224

Designed for ease of customisation, this graphic LCD lift display can be programmed and updated remotely via a single pair wire.

Display options include the time, date, up/down arrow indicators, floor position indication, and tenant information. Special images and messages can be displayed such as "No smoking", "Lift on fire service", or "Seasons greetings".

Tenant information is easily changed using a custom windows based software package.

Automatic temperature compensation circuitry ensures that the contrast is maintained with changing ambient temperatures.



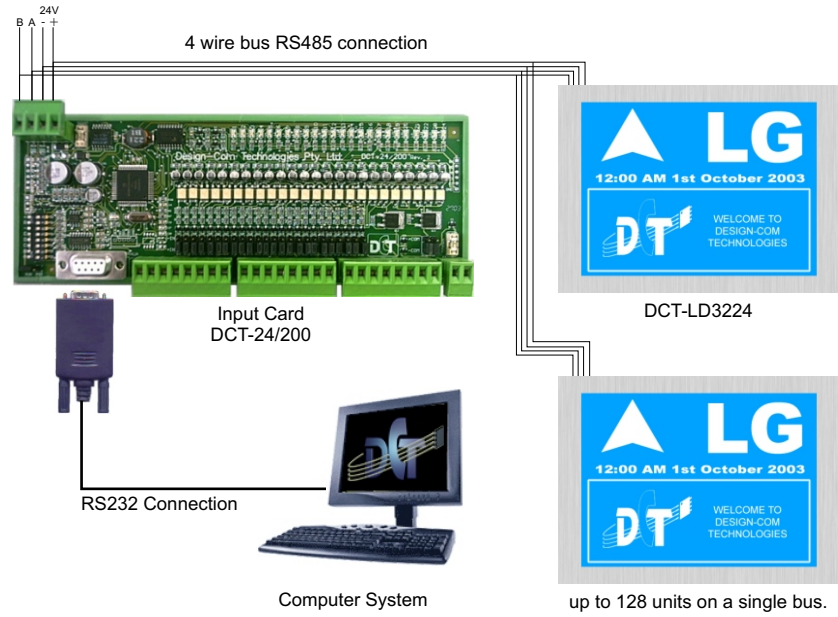
Features

- Compatible with all lift controllers.
- Programmable over a 2-wire serial link.
- Tenant information can be customised by the user.
- Time and date, up/down arrow indicator, floor position indicator, tenant information.
- Special images and custom messages.
- Temperature compensation contrast control.
- 15,000 hrs CCFL backlight life
- OTIS RSL interface (only for Otis use).

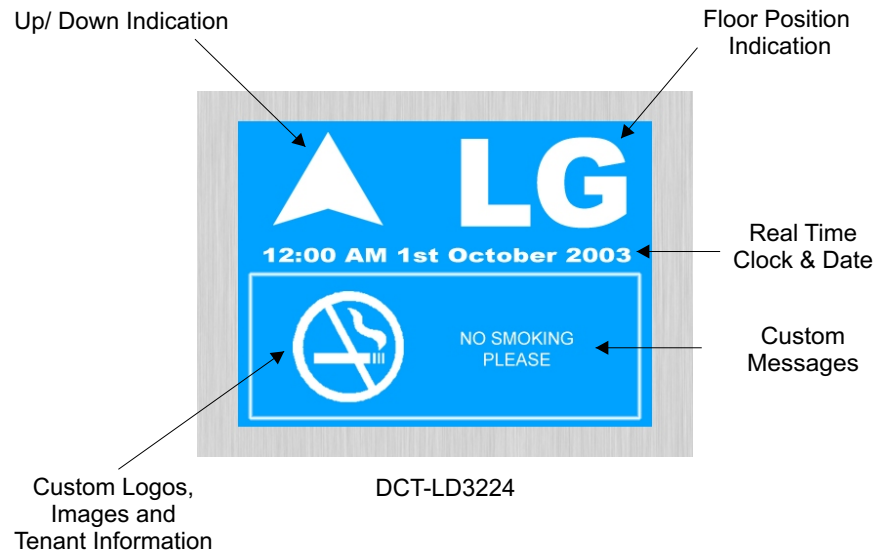
*5.7" LCD Lift
Display*

DCT-LD3224

Wiring Setup

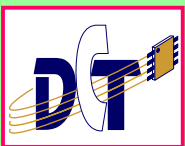


Display Overview



Specifications

Operating Voltage	24Volt DC Max 12Volt DC Min
Operating Current	350mA
Backlight	CCFL
CCFL Backlight Life	15,000 hrs
Screen Colour	Blue
Display Colour	White
Viewing Area	116.5 x 88 mm
Dot Size	0.34 x 0.34 mm
Dot Pitch	0.36 x 0.36 mm
Image File Types	.bmp, .jpg, .tiff



Australian Designed and
Manufactured

www.designcom.com.au